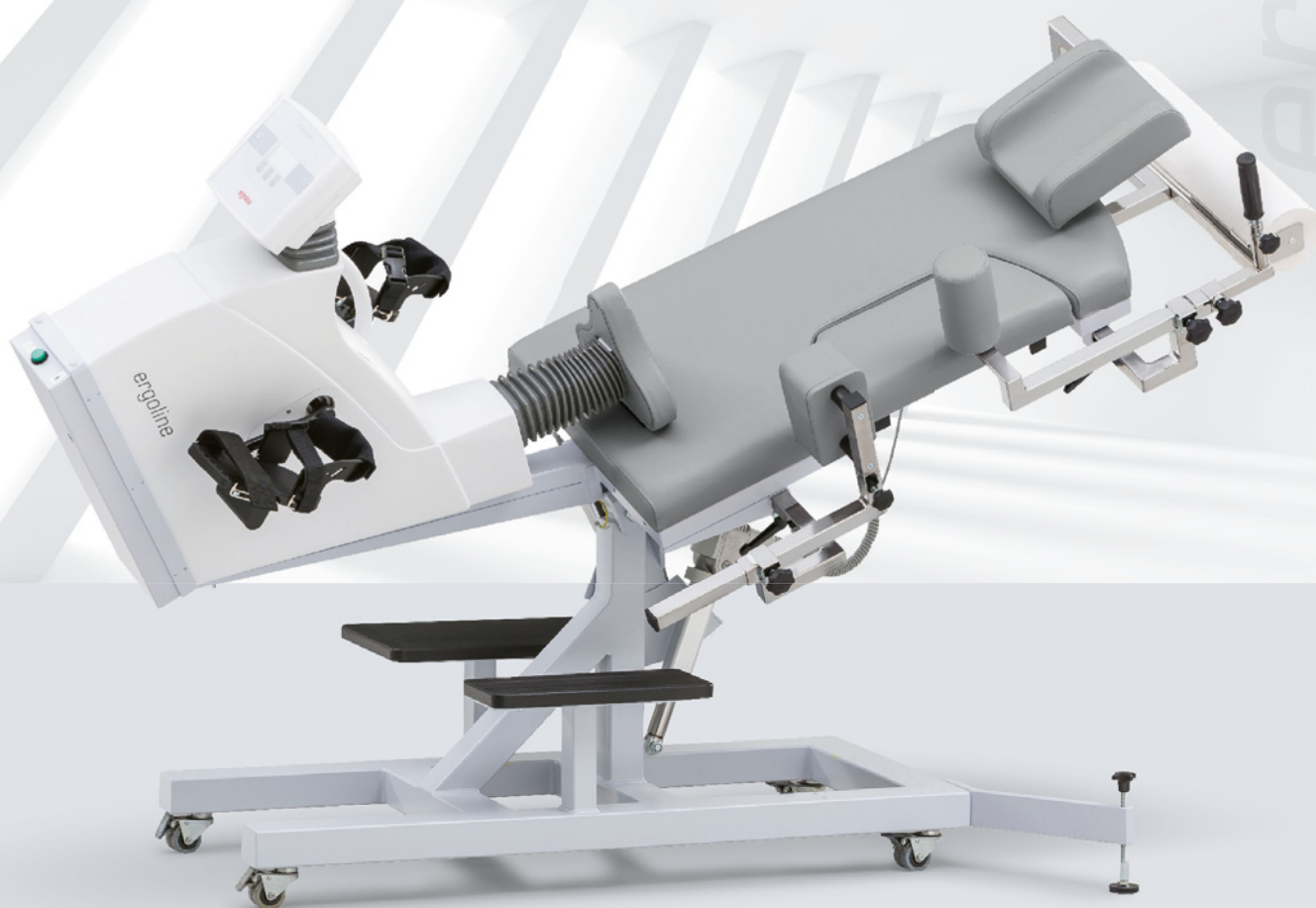


RECLINING ERGOMETER

ergoselect 1200



ergoline

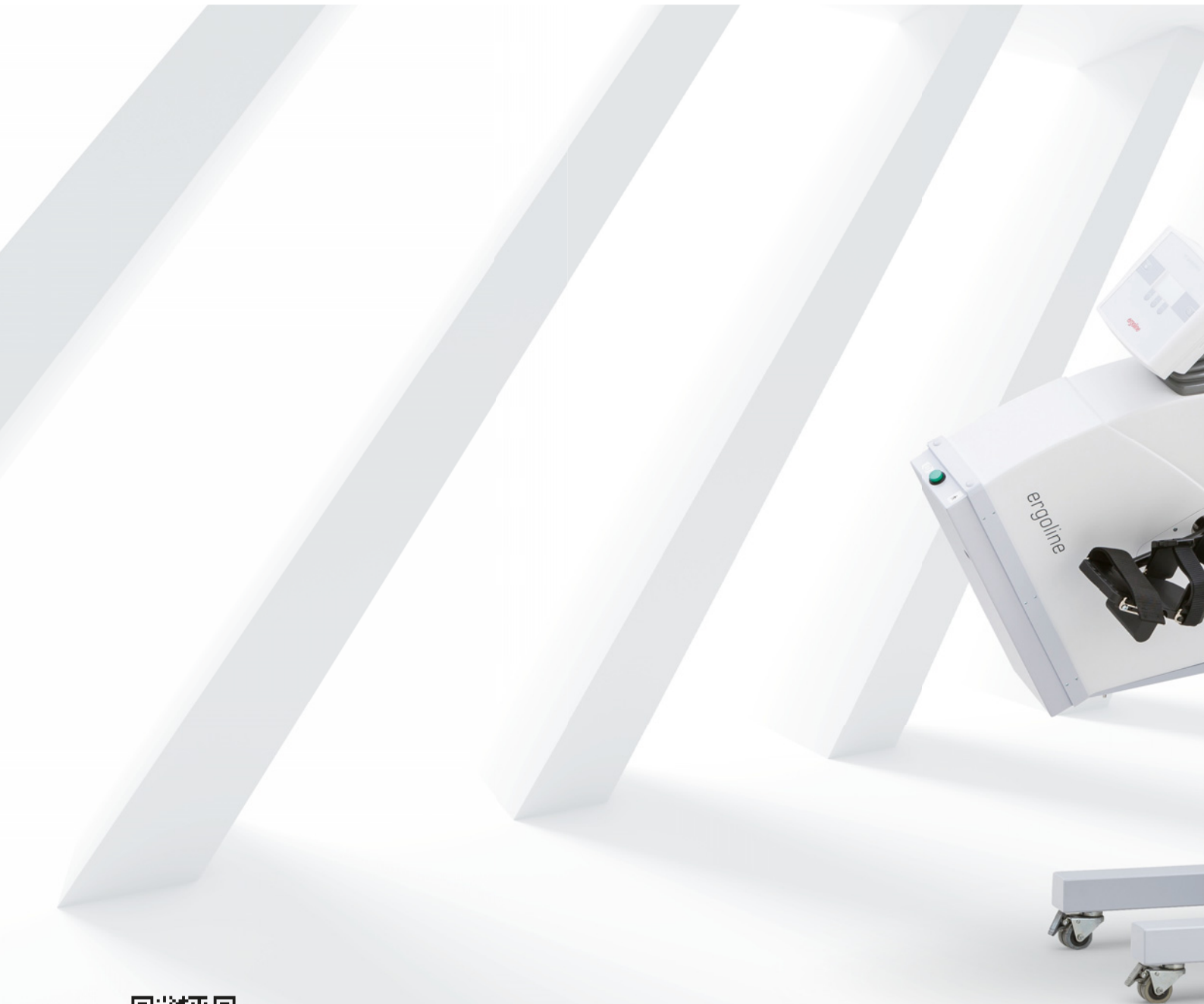
ergoline
MOVING TO HEALTH

RECLINING ERGOMETER

ergoselect 1200

The classic tilt-recline ergometer for dynamic stress echocardiography examinations.
The horizontal and lateral angle of inclination can be electrically set between 0° and 45°.

The drop section in the couch surface facilitates the ultrasound examination.
Multiple adjustable support elements also provide the patient with stability in the lateral position.



*Learn more about ergoselect 1200 –
with 360° view and technical features.*

ergoline reclining ergometer ergoselect 1200

ergoline
MOVING TO HEALTH

- patient weight up to 140 kg
- horizontal and lateral inclination up to 45°
- remote motor control
- load range from 6 to 1000 Watts
- choice of upholstery colors available
- universal interfaces
- wide range of expansion options





Control terminal

All key data in a single display.

The LC display stands out for its excellent readability. In addition to the control option via PC-ECG or ECG recorder, the intuitive operation also enables the performance of custom ergometric test protocols or manual load adjustments. As an alternative to the permanently attached control terminal, a free-standing version with table stand is also available.



Drop section for echocardiography

The folding pad element considerably simplifies ultrasound examinations in lateral patient positions.





Remote control

A compact remote control is used to drive the motors for examination couch adjustment (tilt and incline) and to adjust the seat.

3 ergometer positions can be saved and recalled at the touch of a button.



Support bracket

A stable support bracket provides the patient with a secure hold while moving on and off the reclining ergometer.



Leg rests

The reclining stress echo ergometer can be equipped with removable leg rests on both sides, making it suitable for interim examinations as well.



Color variants

The pad cushions are available in many colors to match any practice or hospital interior design.



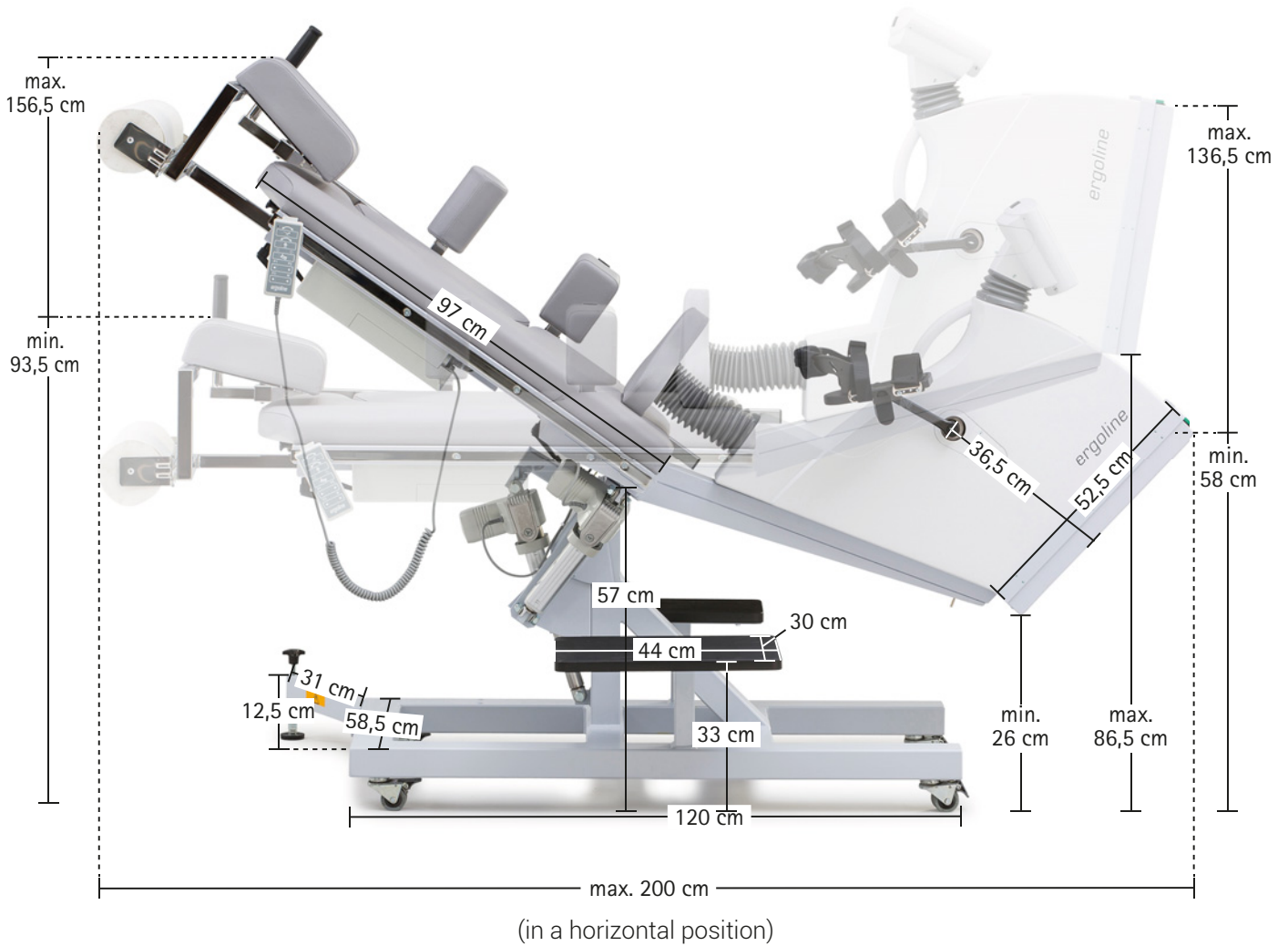
ECG connection/universal interfaces

All leading ECG manufacturers support a control option for ergoline ergometers in their exercise ECG or ergospirometry systems.

ergoline ergometers offer a wide range of interfaces for this purpose. In addition to the standard RS-232 and USB interface, analog and wireless connections via Bluetooth or WiFi are available as well.

ergoselect 1200 – Measurement

Dimensions



ergoselect 1200 – Technical Specifications

Couch ergometer		ergoselect 1200
Couch width		50 cm
Couch adjustment (incline and tilt)		0 – 45 ° each, continuous, motor driven (for inclines up to 23°, a lateral tilt up to 45° can be adjusted)
Motor control		via control unit with membrane keyboard, 3 positions programmable
Seat height adjustment		continuous, for patients from 120 cm to 210 cm (motor driven)
Patient weight (max.)		140 kg
Drive unit		
Brake system		microprocessor controlled eddy current brake
Load		6 – 999 Watt, speed independent
Accuracy		according to DIN VDE 0750-238
Speed range		30 – 130 rpm/min
Control unit		
Display / patient display		load, rpm, speed, time, blood pressure, heart rate (LCD) / rpm (LED)
Graphic display (load, heart rate)		○
Keyboard		membrane keyboard
Exercise protocols		
User programmable		10
Fixed incremental protocols (WHO, Hollmann, etc.)		5
Manual load adjustment		●
Options		
Automatic blood pressure measurement		○
Leg rests (plug-in type), arm rests (stainless steel), infusion holder		○
Detachable or extended control unit		○
Interfaces		
Digital (RS-232, USB) / analog / remote start		● / ○ / ○
Dimensions and weight		
Ergometer		Ergometer with packaging
Length: 240 cm		Length: 209 cm
Width: 90 cm		Width: 80 cm
Height: 180 cm (max.)		Height: 157 cm
Weight: approx. 140 kg		Weight: approx. 158 kg
Miscellaneous		
Power supply		230 V (225 VA max.)

● Standard ○ Option

CE 0123

PREMIUM QUALITY



MADE IN GERMANY

ergoline GmbH

Lindenstraße 5 | D-72475 Bitz, Germany

Phone: +49-(0)-7431-9894-0 | Fax: +49-(0)-7431-9894-128

email: info@ergoline.com | www.ergoline.com